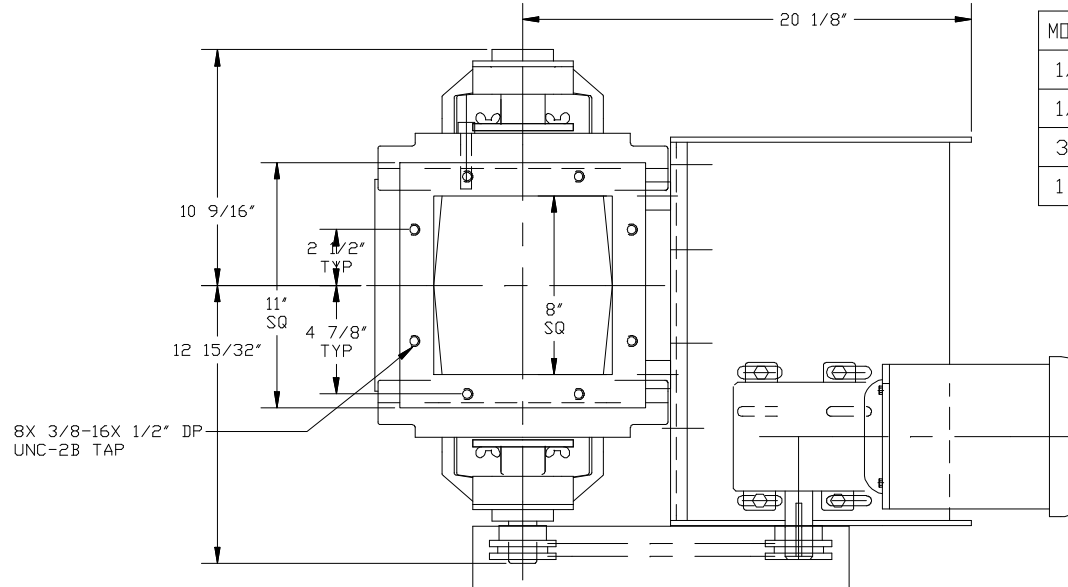


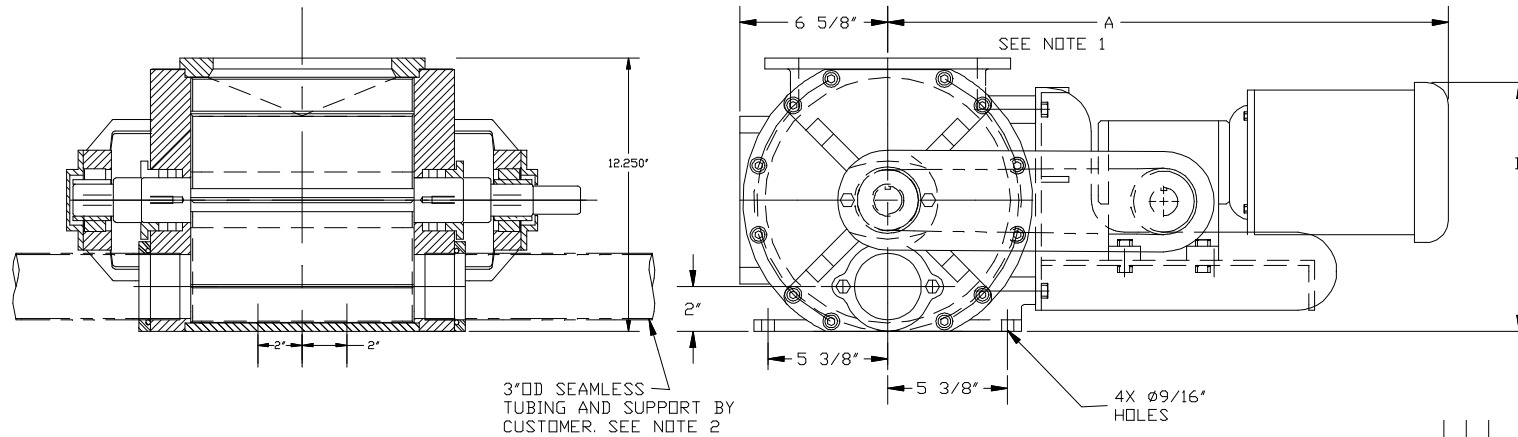
NOTES:

1. DIMENSION BASED ON STANDARD NORMAL EFFICIENCY MOTOR AND MAY BE LONGER FOR SPECIAL MOTORS
2. TUBE SUPPORT MUST BEAR A HORIZONTAL REACTION OF $3X \text{ PI (IN}^2) \times \text{LINE PRESSURE (PSI)}$ AND VERTICAL REACTION OF CONVEYING LINE WEIGHT AND MOMENT.
3. ALL MOTORS 3/60/230-460. 1/3 HP IS TENV, ALL OTHERS ARE TEFC

CAPACITIES IN CUBIC FEET PER MINUTE								
ROTOR CFR	15RPM	20RPM	25RPM	30RPM	35RPM	40RPM	45RPM	50RPM
.47	7.05	9.4	11.75	14.1	16.45	18.8	21.15	23.5



MOTOR HP	FEEDER RPM	A DIM	B DIM
1/3 HP	15	26 3/4	13 7/8
1/2 HP	20, 25	27 7/8	13 7/8
3/4 HP	30, 35, 40	27 7/8	13 7/8
1 HP	45, 50	28 3/4	13 7/8



3"OD SEAMLESS TUBING AND SUPPORT BY CUSTOMER. SEE NOTE 2

4X ϕ 9/16" HOLES

A	10-20-04	UPDATED MODEL NAME	SA
REVISIONS			
WM. W. MEYER & SONS, INC. SKOKIE, ILLINOIS			
11 X 10 HDX SQUARE FLANGE BLOW THRU FEEDER WITH TYPICAL RECOMMENDED DRIVE			
OUR S.D. NO.		REF. S.D. NO.	
DRAWN	GJL	DATE	10-29-99
APPROVED	JAE/MRD	SCALE	1/4
DRAWING NUMBER			430F-048

M:\RAL\11X10HDXSFDR.DWG