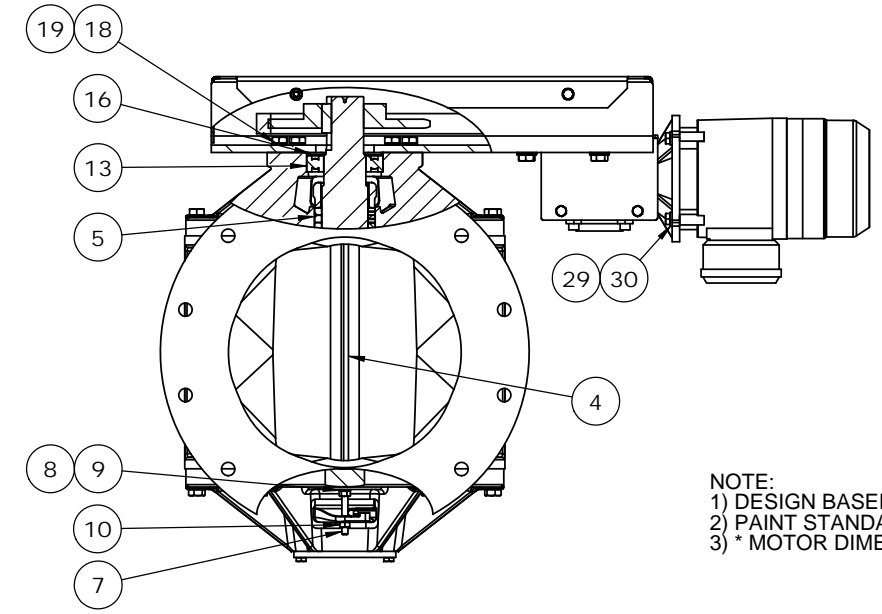
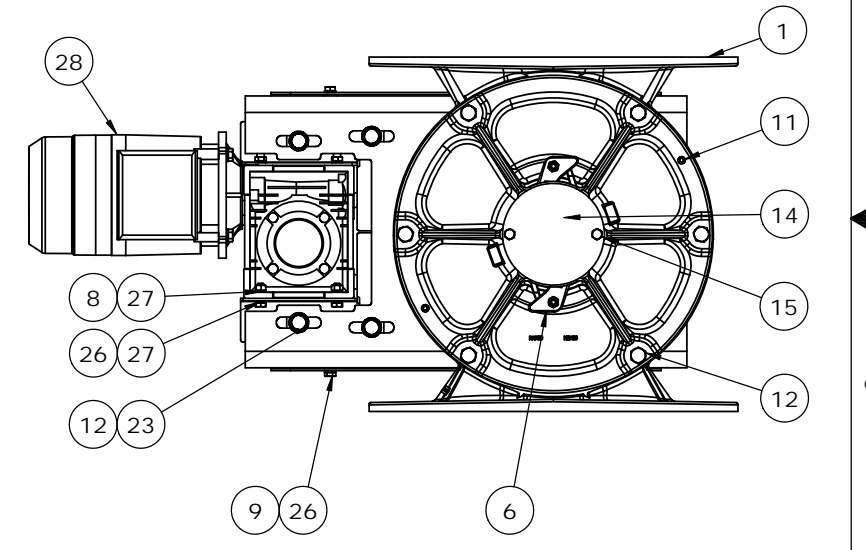
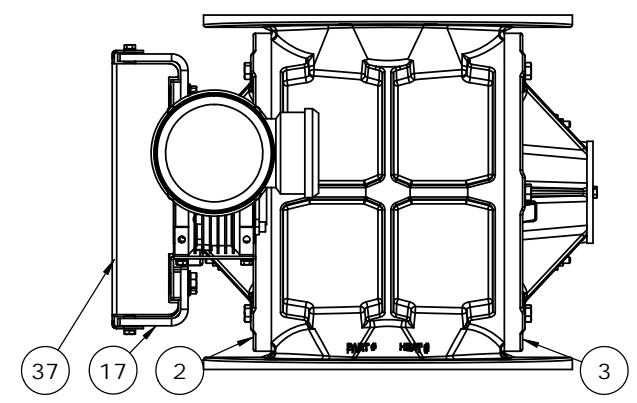
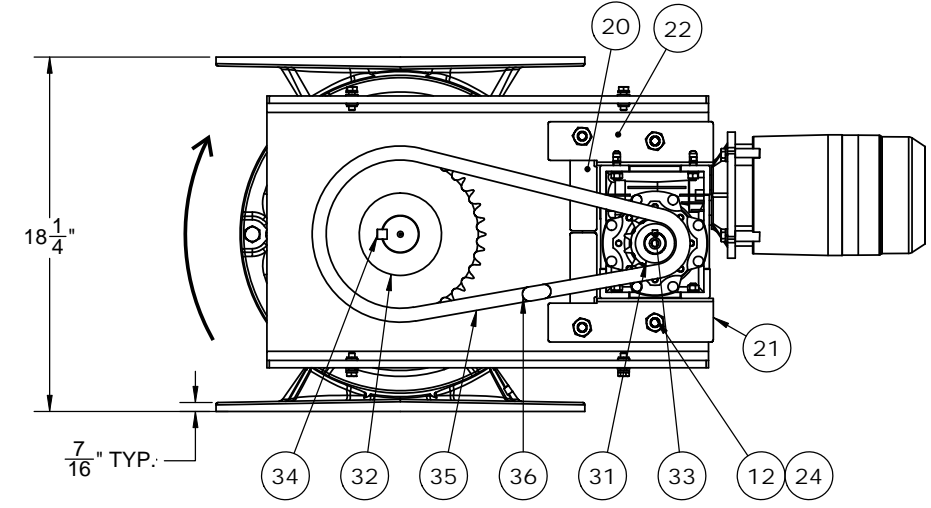


ITEM NO.	PartNo	Description	QTY.
1	440E-H02	12" UDV ROUND HOUSING, CI	1
2	440E-P01	12" UDV DRIVE HEADPLATE, CI	1
3	440E-P02	12" UDV BLIND HEADPLATE, CI	1
4	440E-R001	12" UDV ROTOR STL 8VOEBEV, CS	1
5	450BA189	PACKING RING, 3/8" SQ., 2 3/8" ID, ARAMID	6
6	440E-N01	12" UDV PACKING NUT, CS	4
7	450JC076	5/16-18 X 3" STUD ZP	4
8	FS	5/16-18 HEX NUT	10
9	FS	5/16" LOCK WASHER	8
10	450JH669	5/16-18 CENTERLOCK HEX LOCKNUT, ZP	4
11	450JH687	.375 X 1.25 ROLL PIN, ZP	4
12	FS	1/2-13 X 1 3/4" HEX HEAD CAP SCREW	16
13	450AA171	SEALED BALL BEARING	2
14	440E-C01A	12" UDV BLIND END BEARING CAP, CS	1
15	FS	5/16-18 X 1/2" HEX HEAD BOLT	2
16	450JO032	WAVE SPRING 4.000 OD X .100 WIRE 17-7SS	1
17	440E-D01	12" UDV DRIVE BASE, 3/8" CS	1
18	FS	1/2-13 X 1 1/4" HEX HEAD BOLT	8
19	450JH554	1/2" X 3/4" NORD LOCK WASHER	12
20	440E-D04	GEARBOX SPACER, CS	2
21	440E-D03	12" UDV GEARBOX BOTTOM BRACKET, CS	1
22	440E-D02	12" UDV GEARBOX TOP BRACKET, CS	1
23	450JH686	1/2" X 1" NORD LOCK LOCKWASHER	4
24	FS	1/2-13 HEAVY HEX NUT	4
25	450GB664	GEARBOX, NMRV063 30:1 56C 1 1/8" SHAFT	1
26	FS	5/16-18 X 1" HEX HEAD BOLT	10
27	450JH702	5/16" X 1/2" NORD LOCK WASHER	12
28	450H-1839	1 1/2 HP 1800 RPM TEFC MOTOR 56C 208-230/460-60-3	1
29	FS	3/8-16 X 1" HEX HEAD BOLT	4
30	FS	3/8" LOCK WASHER	4
31	450F-1025	SPROCKET 60B12F, 1.125" BORE	1
32	450F-1034	SPROCKET 60B35F, 1.15/16" BORE	1
33	FS	1/4" X 1/4" X 1 1/2" KEY, CS	1
34	450JP027	1/2" X 1/2" X 1 1/2" KEY, CS	1
35	450FA004	A.S.A. 60 CHAIN (Feet)	3 13/16
36	450FA011	A.S.A. 60 CHAIN MASTER LINK	1
37	440E-G01	12" UDV DRIVE GUARD, CS	1



NOTE:  
 1) DESIGN BASED ON 70 DEG. F. OPERATING TEMPERATURE.  
 2) PAINT STANDARD BLACK ENAMEL.  
 3) \* MOTOR DIMENSIONS BASED ON STANDARD MOTOR.

REVISIONS				
REV.	DESCRIPTION	DATE	DB	AP
A	PRODUCTION RELEASE.	11/17/2010	GS	

OUR S.O. #	NAME	DATE	 Wm. W. Meyer & Sons Inc. LIBERTYVILLE, IL. TITLE: 12" ROUND UDV ROTARY VALVE CAST IRON 8 VANE OPEN END BEVELED ROTOR 1 1/2 HP, 20 RPM	
REF S.O. #	DRAWN BY: GS	8-10-10		
REF DWG. 440E-0101	CHECKED BY:			
PROPRIETARY AND CONFIDENTIAL THE INFORMATION CONTAINED IN THIS DRAWING IS THE SOLE PROPERTY OF Wm. W. Meyer & Sons, Inc. ANY REPRODUCTION IN PART OR AS A WHOLE WITHOUT THE WRITTEN PERMISSION OF Wm. W. Meyer & Sons, Inc. IS PROHIBITED.			ENG APPR.: TM 8-10-10	
DWG. NO. 440E-0102		REV A		
PART WEIGHT: 438.28 LBS		SCALE: 5:32	SHEET: 1 OF 1	