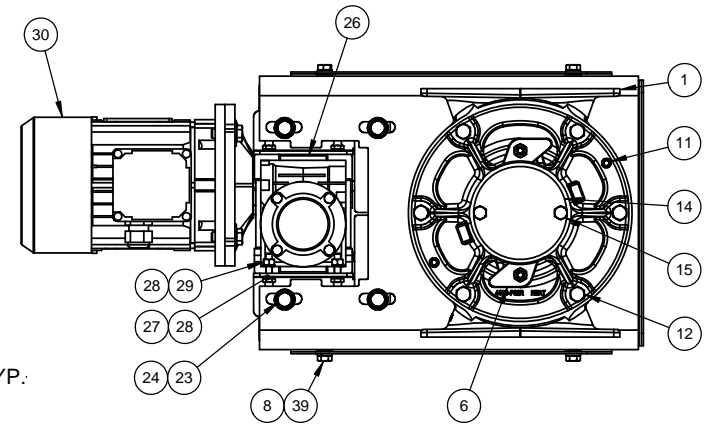
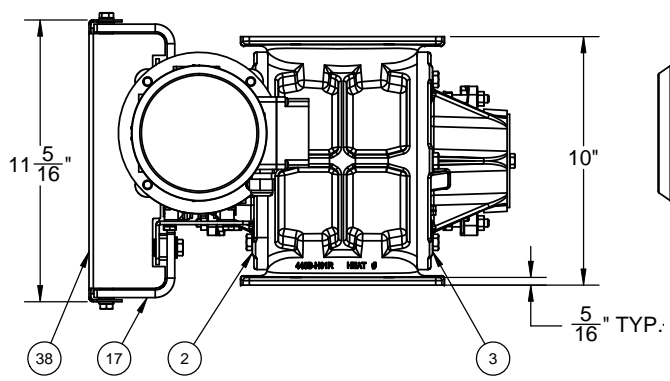
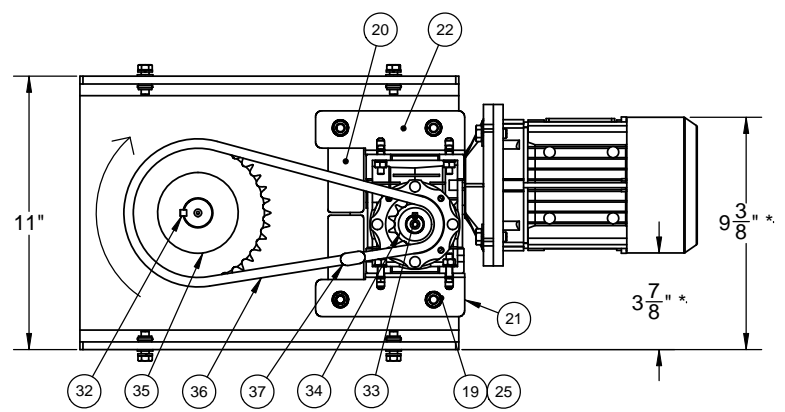
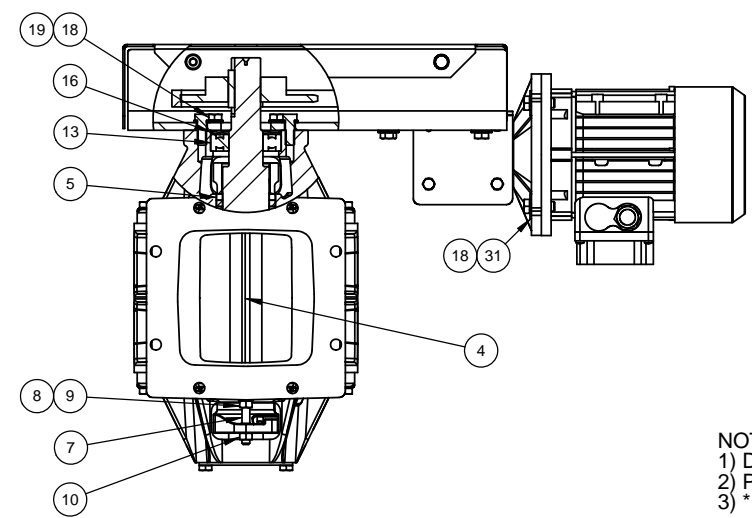


| ITEM NO. | PartNo | Description | QTY. |
|----------|-----------|---|-------|
| 1 | 440B-H01 | 6" UDV SQUARE HOUSING, CI | 1 |
| 2 | 440B-P01 | 6" UDV DRIVE HEADPLATE, CI | 1 |
| 3 | 440B-P02 | 6" UDV BLIND HEADPLATE, CI | 1 |
| 4 | 440B-R001 | 6" UDV ROTOR 8V0EBV, CS | 1 |
| 5 | 450BA188 | 1/4" PACKING RING, ARAMID FIBER | 6 |
| 6 | 440C-N01 | 6" & 8" UDV PACKING NUT, CS | 4 |
| 7 | 450JC074 | 5/16-18 X 2 1/2" STUD ZP | 4 |
| 8 | FS | 5/16" LOCK WASHER | 8 |
| 9 | FS | 5/16-18 HEX NUT | 4 |
| 10 | 450JH669 | 5/16-18 CENTERLOCK HEX LOCKNUT, ZP | 4 |
| 11 | 450JH670 | 3/8" X 1" ROLL PIN | 4 |
| 12 | FS | 3/8-16 X 1.25" HEX HEAD BOLT | 12 |
| 13 | 450AA169 | SEALED BALL BEARING | 2 |
| 14 | 440C-C01 | 6" & 8" UDV BLIND END BEARING CAP, CS | 1 |
| 15 | FS | 5/16-18 X 1/2" HEX HEAD BOLT | 2 |
| 16 | 450JO030 | WAVE SPRING 2.875 OD X .093 WIRE | 1 |
| 17 | 440B-D01 | 6" UDV DRIVE BASE, CS | 1 |
| 18 | FS | 3/8-16 X 1" HEX HEAD BOLT | 10 |
| 19 | 450JH553 | 3/8" X 5/8" NORD LOCK WASHER | 10 |
| 20 | 440B-D04 | 6" UDV DRIVE SPACER, STEEL | 2 |
| 21 | 440B-D03 | 6" UDV GEARBOX BOTTOM BRACKET, CS | 1 |
| 22 | 440B-D02 | 6" UDV GEARBOX TOP BRACKET, CS | 1 |
| 23 | FS | 3/8-16 X 1.5" HEX HEAD BOLT | 4 |
| 24 | 450JH689 | 3/8" X 13/16" NORD LOCK WASHER | 4 |
| 25 | FS | 3/8-16 HEX NUT | 4 |
| 26 | 450GB676 | GEARBOX, NMRV040 30:1 56C 3/4" SHAFT | 1 |
| 27 | FS | 1/4-20 X 1" HEX HEAD BOLT | 6 |
| 28 | 450JH734 | 1/4" X 7/16" NORD LOCK WASHER | 12 |
| 29 | FS | 1/4-20 HEX NUT | 6 |
| 30 | 450H-1836 | 1/2 HP 1800 RPM TEFC MOTOR 56C 208-230/460-60-3 | 1 |
| 31 | FS | 3/8" FLAT WASHER | 4 |
| 32 | FS | 1/4" X 1/4" X 1 1/2" KEY, CS | 1 |
| 33 | FS | 3/16" X 3/16" X 1 1/2" KEY, CS | 1 |
| 34 | 450F-357 | SPROCKET 40B12F, .75" BORE | 1 |
| 35 | 450F-1045 | SPROCKET 40B35F, 1 3/16" BORE | 1 |
| 36 | 450FA003 | A.S.A. 40 CHAIN (Feet) | 2 1/2 |
| 37 | 450FA009 | A.S.A. 40 CHAIN MASTER LINK | 1 |
| 38 | 440B-G01 | 6" UDV DRIVE GUARD, CS | 1 |
| 39 | FS | 5/16-18 X 1" HEX HEAD BOLT | 4 |



NOTE: DRIVE GUARD NOT SHOWN.



NOTE:
 1) DESIGN BASED ON 70 DEG. F. OPERATING TEMPERATURE.
 2) PAINT STANDARD BLACK ENAMEL.
 3) * MOTOR DIMENSIONS BASED ON STANDARD MOTOR.

| REVISIONS | | | | |
|-----------|---------------------|------------|----|----|
| REV. | DESCRIPTION | DATE | DB | AP |
| A | Production Release. | 11/11/2010 | GS | |

| | | | |
|------------|---------------|---------|--|
| OUR S.O. # | NAME | DATE | Wm. W. Meyer & Sons Inc. LIBERTYVILLE, IL. |
| REF S.O. # | DRAWN BY: GS | 11-5-10 | |
| REF DWG. | CHECKED BY: | | |
| | ENG APRV.: TM | 11-5-10 | |

| | | |
|--|------------|---|
| PROPRIETARY AND CONFIDENTIAL THE INFORMATION CONTAINED IN THIS DRAWING IS THE SOLE PROPERTY OF Wm. W. Meyer & Sons, Inc. ANY REPRODUCTION IN PART OR AS A WHOLE WITHOUT THE WRITTEN PERMISSION OF Wm. W. Meyer & Sons, Inc. IS PROHIBITED. | | TITLE: 6" SQUARE UDV ROTARY VALVE, CAST IRON 8 VANE OPEN END BEVELED ROTOR 1/2 HP, 20 RPM |
| DWG. NO. | 440B-0101 | |
| PART WEIGHT: 137.72 LBS | SCALE: 1:5 | SHEET: 1 OF 1 |