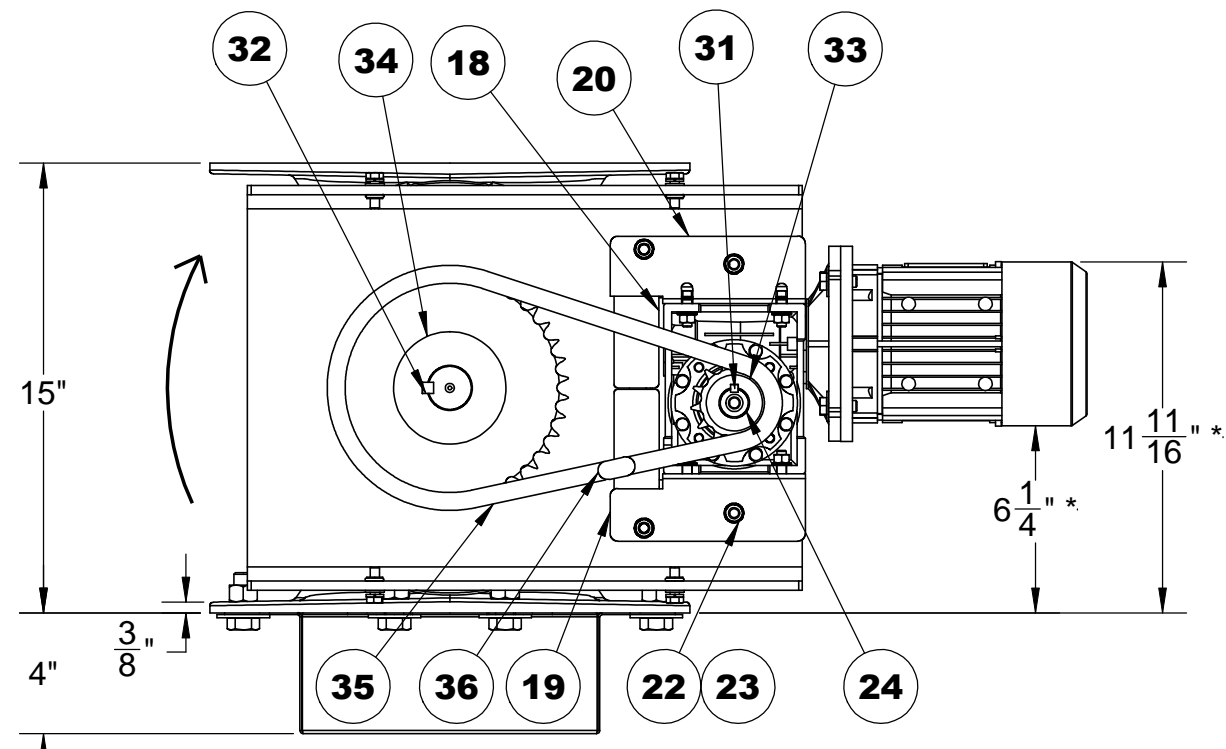
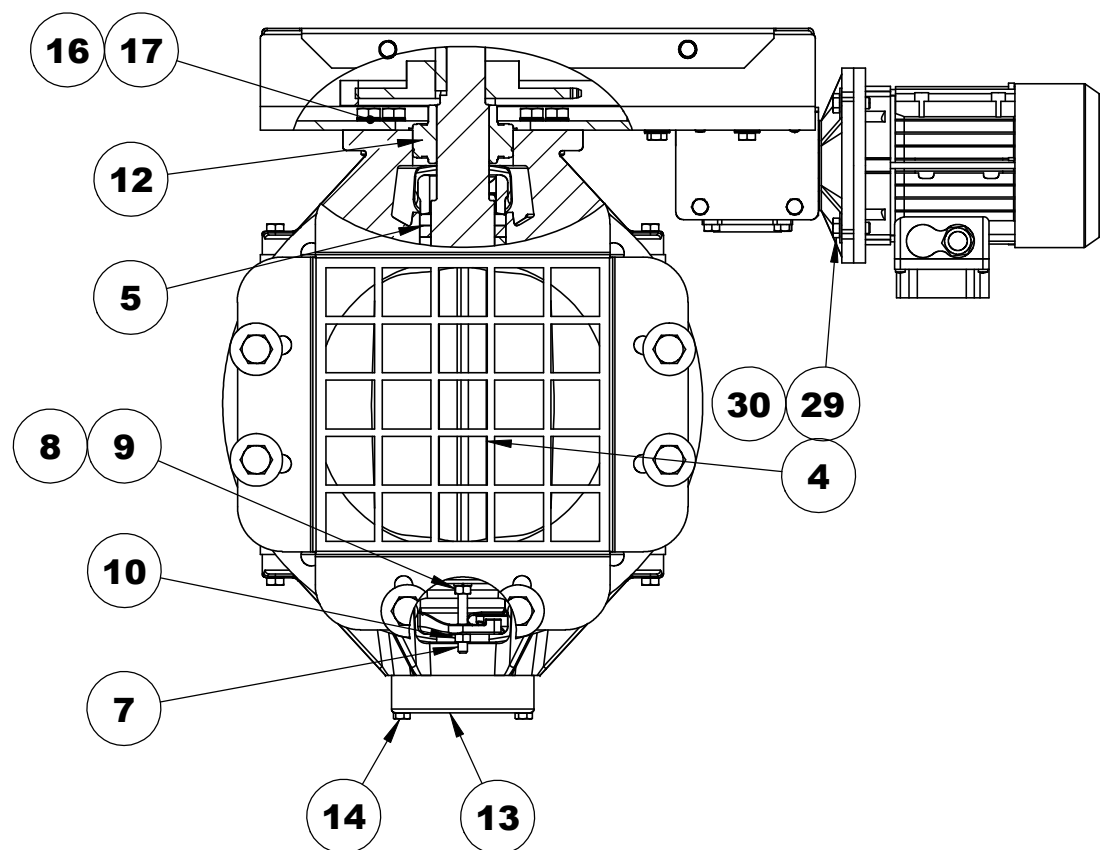
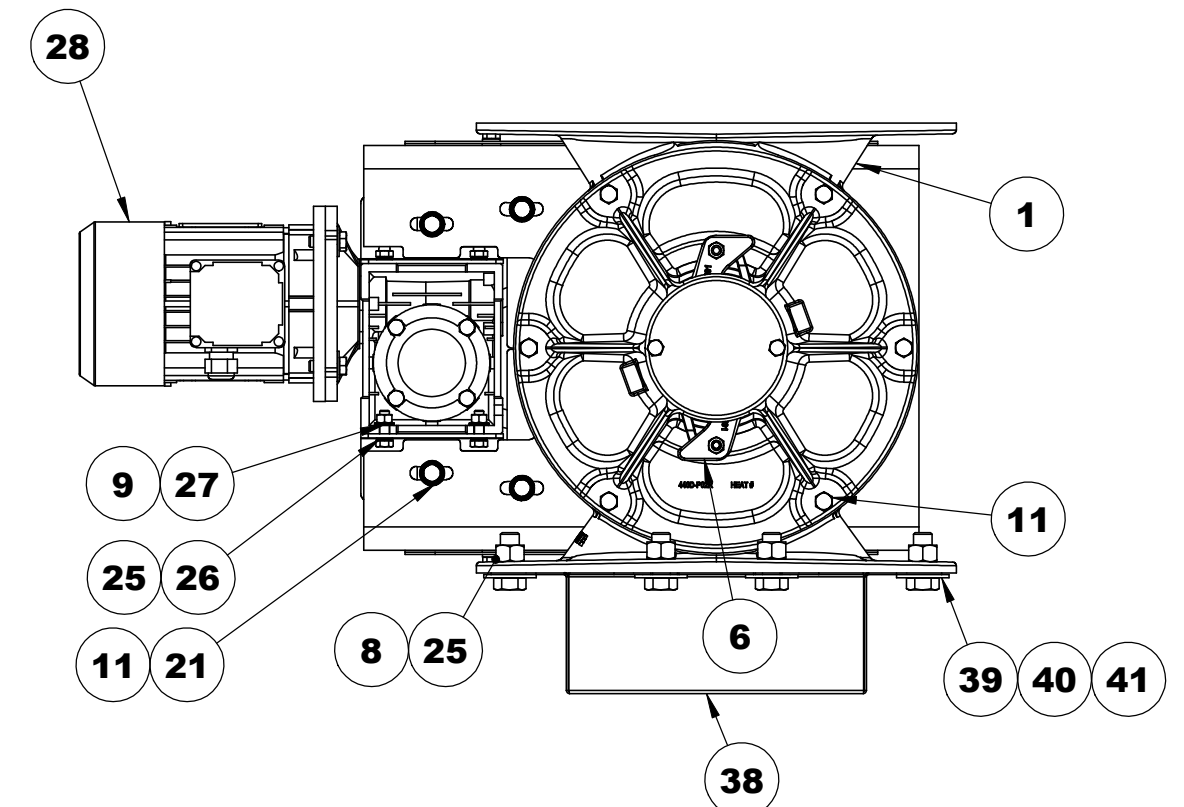
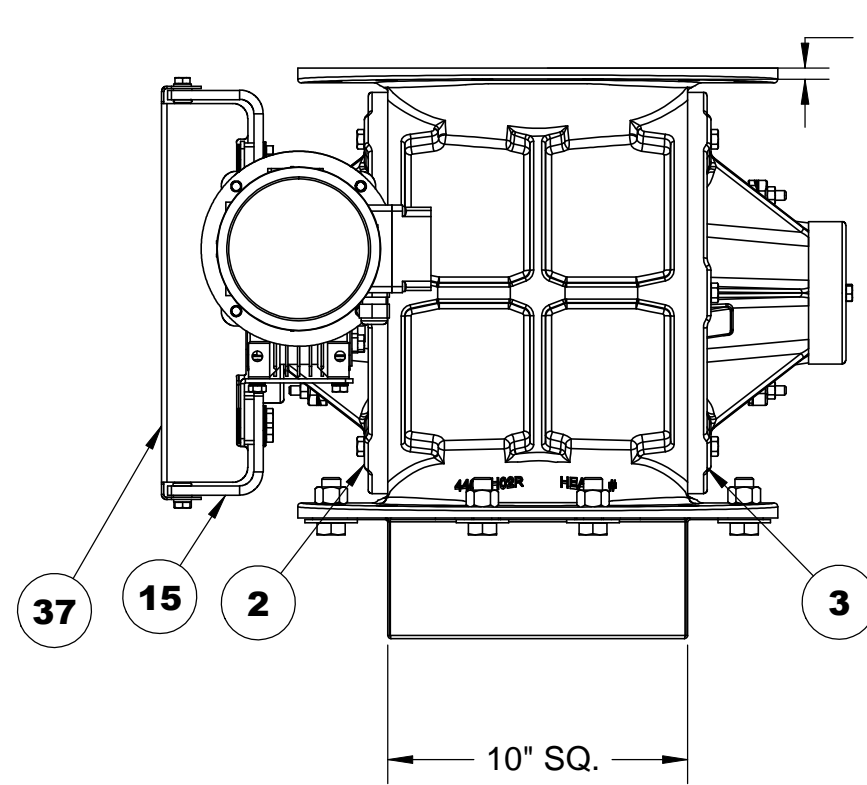


ITEM NO.	PartNo	Description	QTY.
1	440D-H32	10" UDV ROUND HOUSING, CI	1
2	440D-P31	10" UDV DRIVE HEADPLATE, CI	1
3	440D-P32	10" UDV BLIND HEADPLATE, CI	1
4	440D-RU001-T200	10" UDV ROTOR 8VOEBV, CS	1
5	450BA194	3/8" PACKING RING, ARAMID FIBER	6
6	440D-N01	10" UDV PACKING NUT, CS	4
7	450JC079	5/16-18 X 3" STUD SS	4
8	FS	5/16" LOCK WASHER	8
9	FS	5/16-18 HEX NUT	10
10	450JH669	5/16-18 CENTERLOCK HEX LOCKNUT, ZP	4
11	FS	3/8-16 X 1 1/2" HEX HEAD BOLT	16
12	450AA174	BEARING	2
13	440D-C05	10" UDV BE BEARING CAP, AL	1
14	FS	5/16-18 X 1 1/2" HEX HEAD BOLT	2
15	440D-D31	10" UDV DRIVE BASE, 5/16" CS	1
16	FS	1/2-13 X 1 1/4" HEX HEAD BOLT	8
17	450JH554	1/2" X 3/4" NORD LOCK WASHER	8
18	440D-D04	GEARBOX SPACER, CS	2
19	440D-D03	10" UDV GEARBOX BOTTOM BRACKET, CS	1
20	440D-D02	10" UDV GEARBOX TOP BRACKET, CS	1
21	450JH689	3/8" X 13/16" NORD LOCK WASHER	4
22	450JH553	3/8" X 5/8" NORD LOCK WASHER	4
23	FS	3/8-16 HEX NUT	4
24	450GB677	GEARBOX, 30:1 1" SHAFT 56C	1
25	FS	5/16-18 X 1" HEX HEAD BOLT	10
26	450JH702	5/16" X 1/2" NORD LOCK WASHER	6
27	450JH673	5/16" X 5/8" NORD LOCK WASHER	6
28	450H-1838	1 HP 1800RPM TEFC MOTOR 208-230/460/3 56C	1
29	FS	3/8-16 X 1" HEX HEAD BOLT	4
30	FS	3/8" FLAT WASHER	4
31	FS	1/4" X 1/4" X 1 1/2" KEY, CS	1
32	FS	3/8" X 3/8" X 1 1/2" KEY, CS	1
33	450F-350	SPROCKET 50B13F, 1" BORE	1
34	450F-1048	SPROCKET 50B38F, 1 1/2" BORE	1
35	450FA002	A.S.A. 50 CHAIN (Feet)	3
36	450FA017	A.S.A. 50 CHAIN MASTER LINK	1
37	440D-G01	10" UDV DRIVE GUARD, CS	1
38	430D-2323	10" DISCHARGE GUARD	1
39	FS	5/8" FLAT WASHER	8
40	FS	5/8-11 X 1 1/2" HEX HEAD BOLT	8
41	FS	5/8-11 HEX NUT	8



NOTE: DRIVE GUARD NOT SHOWN.



NOTE:
 1) DESIGN BASED ON 70-200 DEG. F. OPERATING TEMPERATURE.
 2) PAINT STANDARD BLACK ENAMEL.
 3) * MOTOR DIMENSIONS BASED ON STANDARD MOTOR.

REVISIONS			
REV.	DESCRIPTION	DATE	APRV.
OUR S.O. #	-	7/25/11	SC
REF S.O. #	-		
REF DWG.	-	1/6/12	GS

Wm. W. Meyer & Sons Inc.
 LIBERTYVILLE, IL.
 TITLE:
 10" ROUND UDV ROTARY VALVE, CAST IRON
 8 VANE OPEN END BEVELED ROTOR
 1 HP, 20 RPM

DWG. NO. 441D-1013
 PART WEIGHT: 305 LBS SCALE: 5:32 SHEET: 1 OF 1

PROPRIETARY AND CONFIDENTIAL
 THE INFORMATION CONTAINED IN THIS
 DRAWING IS THE SOLE PROPERTY OF
 Wm. W. Meyer & Sons, Inc. ANY
 REPRODUCTION IN PART OR AS A WHOLE
 WITHOUT THE WRITTEN PERMISSION OF
 Wm. W. Meyer & Sons, Inc. IS PROHIBITED.