



Severe Duty Valves



FEATURES

- Cast iron body
- Stainless steel gate
- Dust-tight design
- Stuffing box with replaceable packing
- Self-cleaning design
- Non-jamming operation

BENEFITS

- Reliability of operation
- The cast body of the valve is dust-tight assuring clean operation
- Knife action to cut through standing column of material
- Short opening and closing time
- Maintenance is easy with replaceable packing
- Modular design permitting upgrades to packing and operators

INDUSTRIES WHERE USED

- Cement • Iron Ore
- Steel Mills • Pulp & Paper
- Food • Fly Ash • Bulk Powders
- Mining and Minerals
- Lime • Chemical

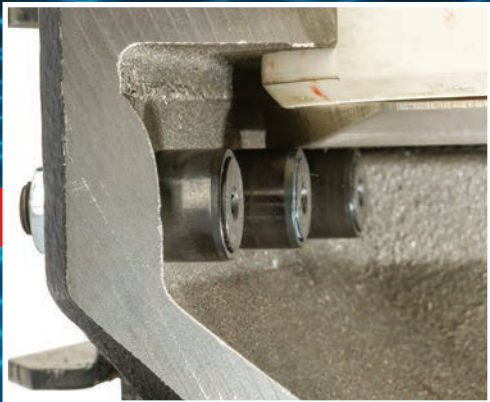


Spring-loaded packing option

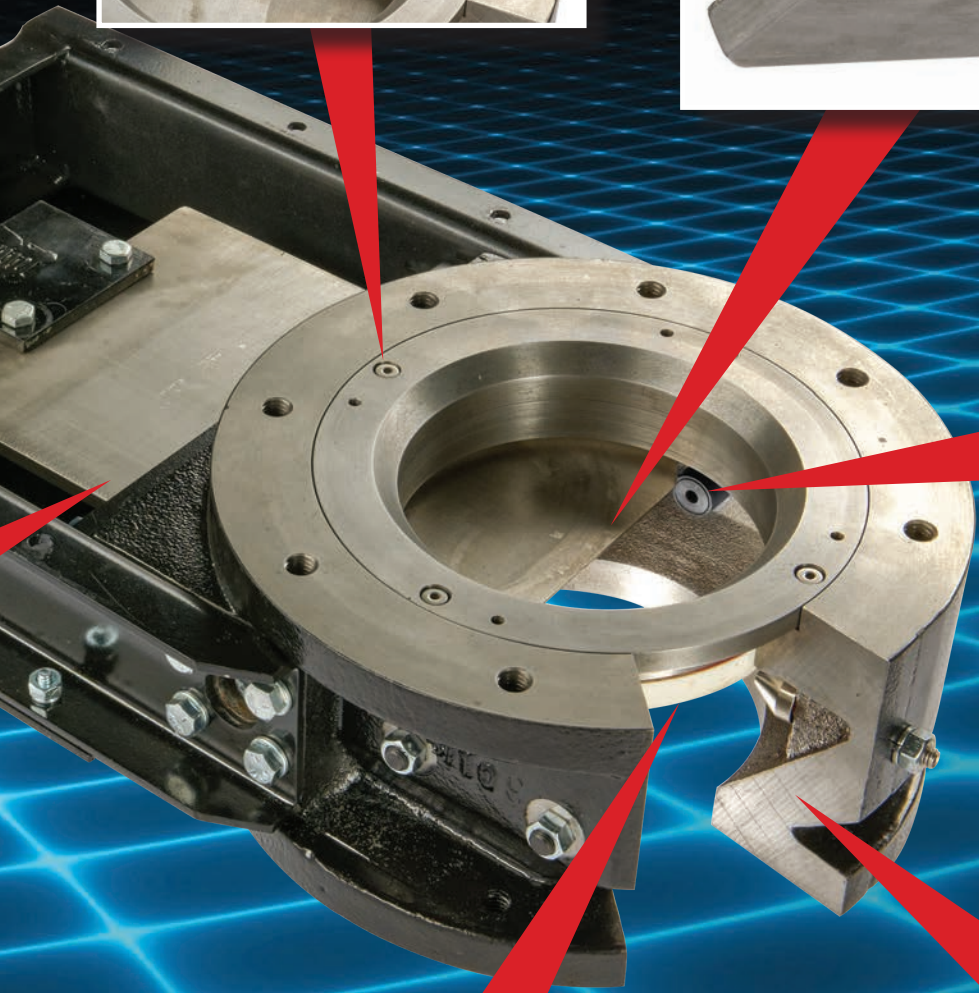
Easy replacement seal bolts



Beveled knife edge



Gate rollers



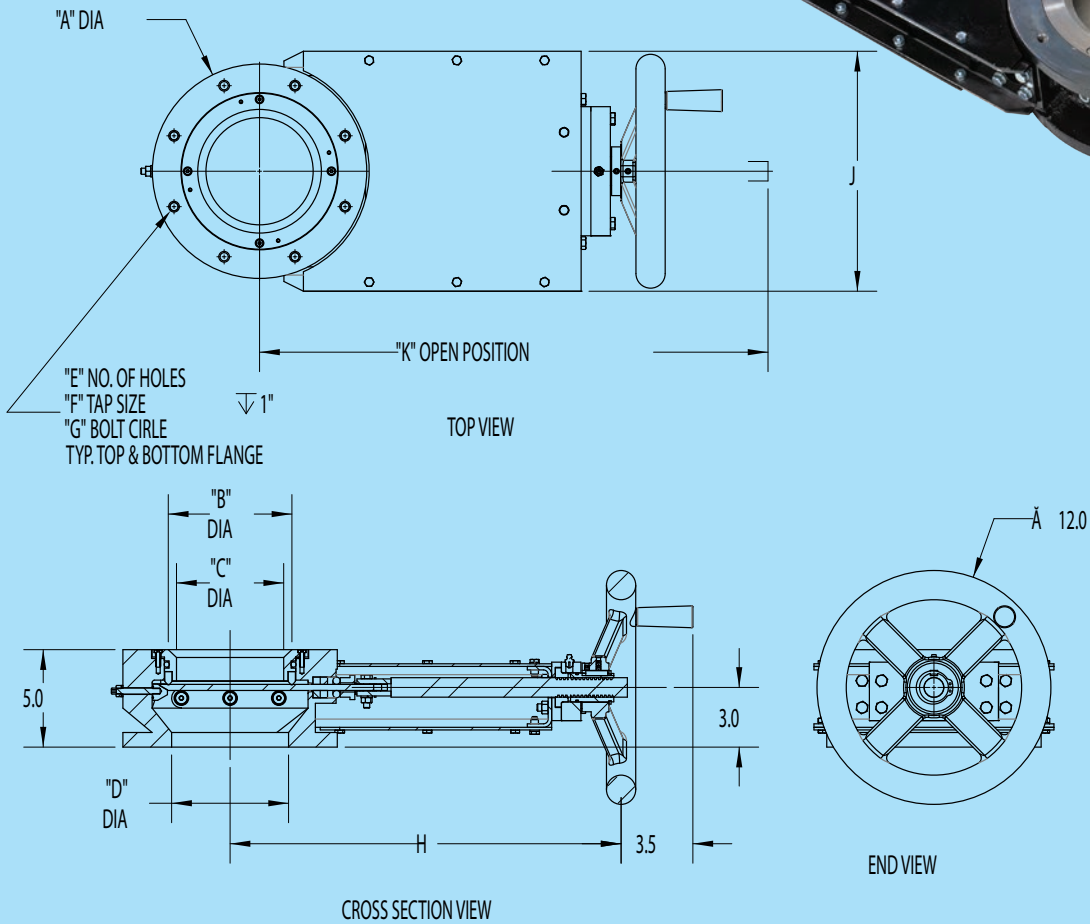
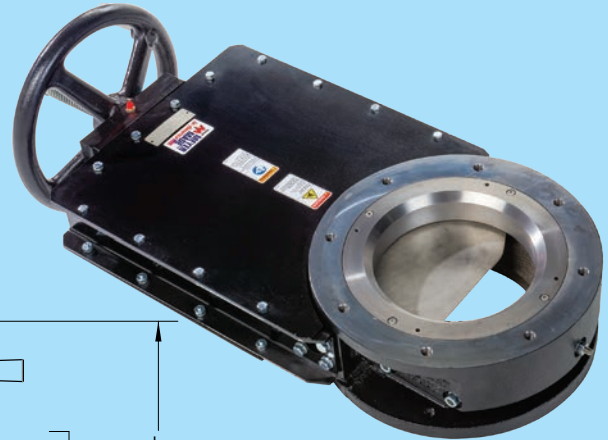
Elastomer seal



Rugged cast iron body

CAST IRON Knife Gate Valve

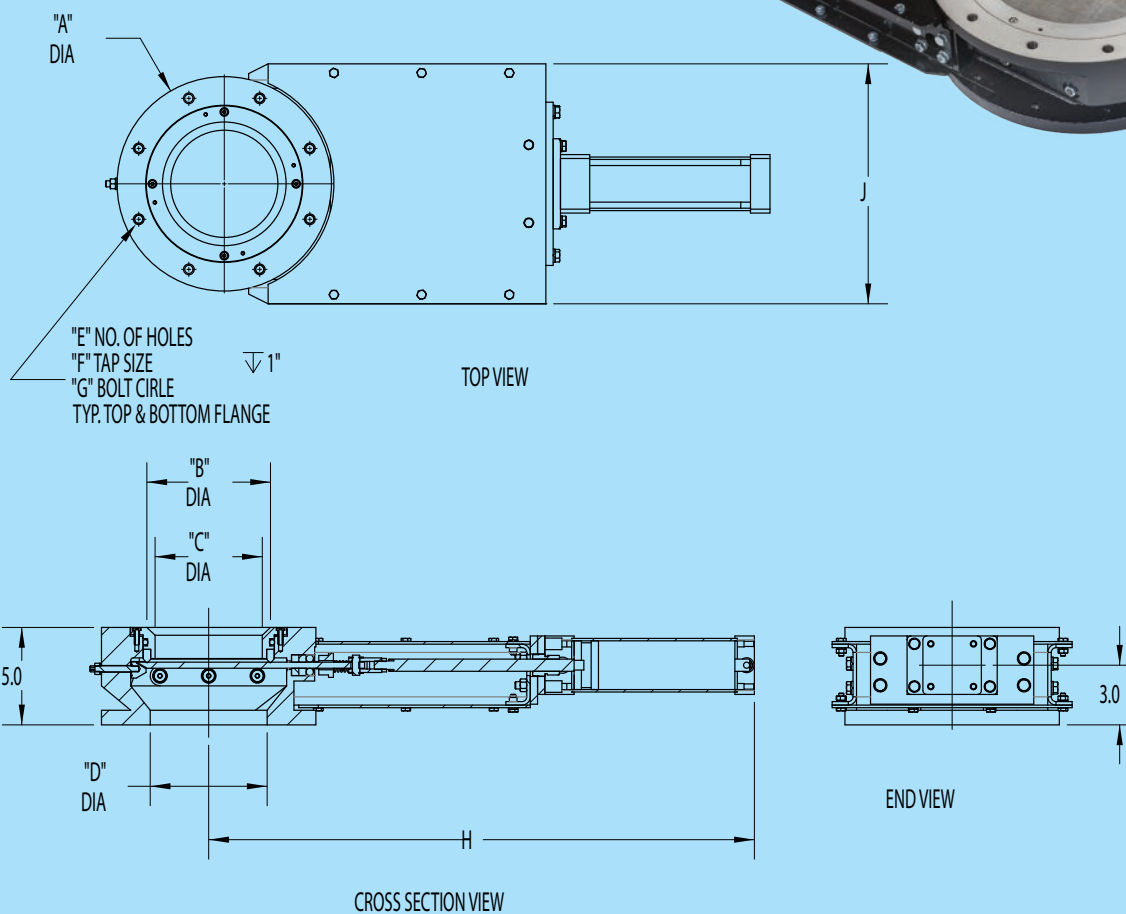
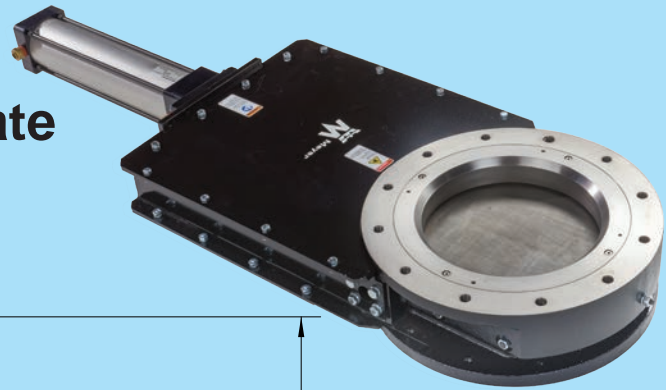
Manual Knife Gate



MANUAL KNIFE GATE (Dimensions in inches)										
Size	A	B	C	D	E	F	G	H	J	K
6	11	6.3	5.5	6	8	1/2-13	9.5	20	12.5	28
8	13.5	8.3	7.5	8	8	1/2-13	11.75	23.5	15	34
10	16	10.3	9.5	10	12	5/8-11	14.25	26	17.25	37
12	19	12.3	11.5	12	12	5/8-11	17	30.5	19.25	44
14	21	14.3	13.5	14	12	3/4-10	18.75	35	20.25	50
16	23.5	16.3	15.5	16	16	1-8	21.25	38	22.25	55

Designed for positive shut off

Pneumatic Knife Gate



PNEUMATIC KNIFE GATE (Dimensions in inches)									
Size	A	B	C	D	E	F	G	H	J
6	11	6.3	5.5	6	8	1/2-13	9.5	28	12.5
8	13.5	8.3	7.5	8	8	1/2-13	11.75	34	15
10	16	10.3	9.5	10	12	5/8-11	14.25	39.5	17.25
12	19	12.3	11.5	12	12	5/8-11	17	45	19.25
14	21	14.3	13.5	14	12	3/4-10	18.75	52	20.25
16	23.5	16.3	15.5	16	16	1-8	21.25	57	22.25

T-BAR

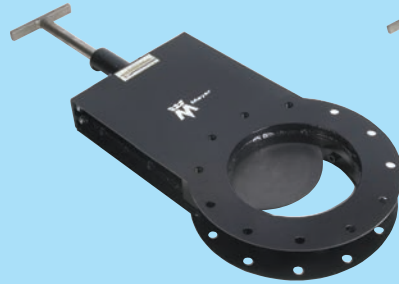
Maintenance Slide Gate

FEATURES

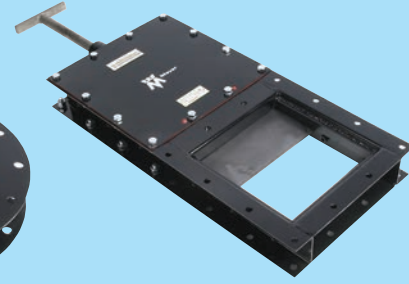
- Mild steel, 304 SS, 316 SS, AR steel construction
- Low Profile
- Nickel Plated Shaft

BENEFITS:

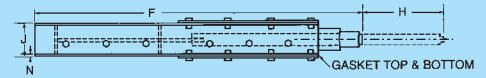
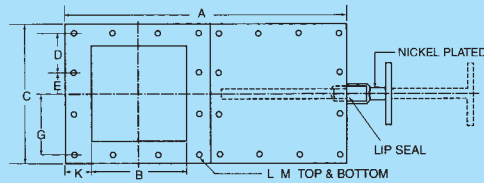
- Positive material shut-off
- Isolates in-line process equipment
- Dust-tight inside to out
- Eases general maintenance



ROUND FLANGE

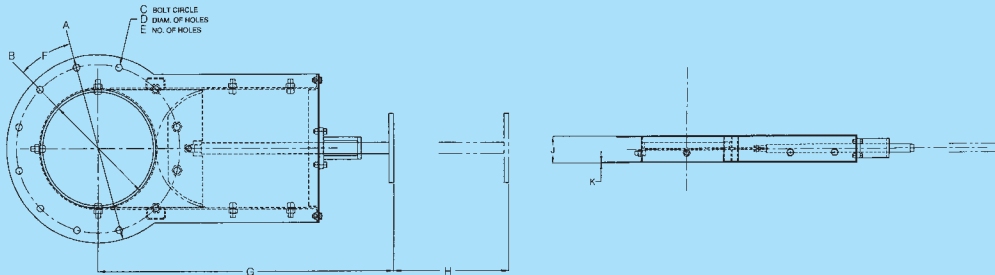


SQUARE FLANGE



SQUARE T-BAR MAINTENANCE GATE (Dimensions in inches)														
Size	A	B*	C	D	E	F	G	H	J	K	L	M	N	WT./LBS
6X6	17 1/2	6	8 1/2	-	1 7/8	24 13/16	3 5/8	5 7/8	3 1/2	1 1/4	8	7/16	10 GA	31
8X8	22 1/2	8	11	-	2 1/2	27 11/16	4 7/8	7 7/8	3 1/2	1 1/2	8	7/16	10 GA	41
10X10	27	10	13 3/4	4	2	31 7/8	6	9 7/8	3 1/2	1 5/8	12	9/16	10 GA	60
12X12	33	12	16 1/4	4 7/8	2 1/16	36 7/8	7 5/16	11 7/8	3 1/2	2 1/8	12	9/16	10 GA	80
14X14	38 1/2	14	19	4 1/4	4 1/4	41 3/8	8 1/2	13 7/8	4	2 1/2	16	9/16	7 GA	126
16X16	44 1/2	17	22	5	5	48 11/16	10	16 3/4	4	2 1/2	16	9/16	7 GA	175
18X18	46 1/2	18	23	5 1/4	5 1/4	50 3/4	10 1/2	17 3/4	4	2 1/2	16	11/16	7 GA	200
20X20	50 1/2	20	25	5 3/4	5 3/4	54 3/4	11 1/2	19 3/4	4	2 1/2	16	11/16	7 GA	230
22X22	54 1/2	22	27	5	2 1/2	58 3/4	12 1/2	21 3/4	4	2 1/2	20	11/16	7 GA	260

* Openings are square. (L) Indicates number of holes. No holes in corners on 6x6 or 8x8 - only 2 on each side straddling center line. (M) diameter of holes. Maximum operating temperature 450°F.



ROUND T-BAR MAINTENANCE GATE (Dimensions in inches)											
Size	A	B	C	D	E	F	G	H	J	K	
6X6	CF	CF	CF	CF	CF	CF	CF	CF	CF	CF	
8X8	13 1/2	8	11 3/4	1/16	8	45°	21 1/16	7 7/8	3 1/2	10 GA	
10X10	16	10	14 1/4	1/16	12	30°	28 3/4	10	3 1/2	10 GA	
12X12	19	12	17	1/16	12	30°	30 3/4	12	3 1/2	10 GA	
14X14	21	14	18 3/4	7/8	12	30°	32 3/8	14	4	10 GA	

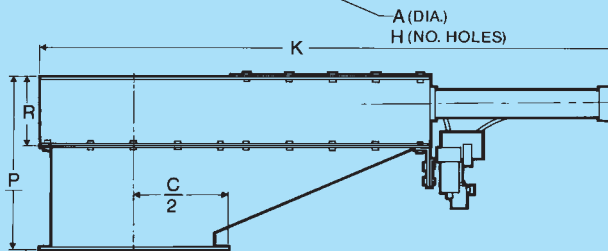
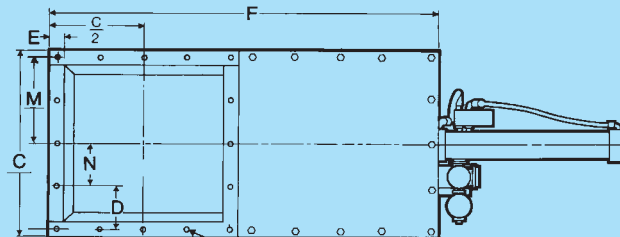
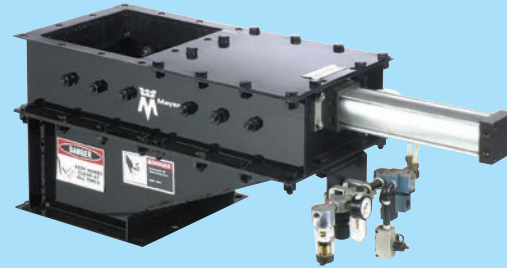
DUST-TIGHT Slide Gate

FEATURES

- Heavy gauge mild steel construction
- Stainless steel slide strips for smooth operation
- Air cylinder & accessories
- NEMA 4 solenoid valve (Expl. Prf. optional)
- Air filter, regulator and lubricator
- Flow control valve
- Pressure gauge
- Self-cleaning, cylindrical slide plate guides with bronze bushings for smooth operation
- Complete piping and wiring, pre-tested for installation-ready operation

BENEFITS:

- Positive material shut-off
- Isolates in-line process equipment
- Dust-tight inside to out
- Eases general maintenance



DUST-TIGHT SLIDE GATE (Dimensions in inches)												
SIZE	A	C	D	E	F	H	K	M	N	P	R	Cyl. Bore
6X6	$\frac{7}{16}$	8	-	$1 \frac{1}{8}$	$17 \frac{3}{4}$	8	$26 \frac{7}{8}$	$3 \frac{5}{8}$	$1 \frac{7}{8}$	10	6	$1 \frac{1}{2}$
8X8	$\frac{7}{16}$	11	-	$1 \frac{3}{8}$	$22 \frac{1}{2}$	8	$31 \frac{5}{16}$	$4 \frac{7}{8}$	$2 \frac{1}{2}$	12	6	2
10X10	$\frac{9}{16}$	$13 \frac{3}{4}$	4	$1 \frac{5}{8}$	$26 \frac{7}{8}$	12	$39 \frac{1}{2}$	6	2	14	6	$2 \frac{1}{2}$
12X12	$\frac{9}{16}$	$16 \frac{1}{4}$	$4 \frac{7}{8}$	$1 \frac{13}{16}$	$34 \frac{3}{8}$	12	$50 \frac{5}{8}$	$7 \frac{5}{16}$	$2 \frac{7}{16}$	16	6	$3 \frac{1}{4}$
14X14	$\frac{9}{16}$	19	$4 \frac{1}{4}$	2	$38 \frac{7}{8}$	16	$56 \frac{1}{8}$	$8 \frac{1}{2}$	$4 \frac{1}{4}$	18	8	$2 \frac{1}{2}$
14X14	$\frac{9}{16}$	19	$4 \frac{1}{4}$	2	$38 \frac{7}{8}$	16	$56 \frac{15}{16}$	$8 \frac{1}{2}$	$4 \frac{1}{4}$	18	8	4
16X16	$\frac{9}{16}$	22	5	2	$44 \frac{7}{8}$	16	$65 \frac{15}{16}$	10	5	20	8	$3 \frac{1}{4}$
16X16	$\frac{9}{16}$	22	5	2	$44 \frac{7}{8}$	16	$66 \frac{3}{16}$	10	5	20	8	5
18X18	$1 \frac{1}{16}$	24	$5 \frac{1}{4}$	$2 \frac{1}{2}$	$48 \frac{7}{8}$	16	$70 \frac{7}{16}$	$10 \frac{1}{2}$	$5 \frac{1}{4}$	22	8	$3 \frac{1}{4}$
18X18	$1 \frac{1}{16}$	24	$5 \frac{1}{4}$	$2 \frac{1}{2}$	$48 \frac{7}{8}$	16	$70 \frac{11}{16}$	$10 \frac{1}{2}$	$5 \frac{1}{4}$	22	8	5
20X20	$1 \frac{1}{16}$	26	$5 \frac{3}{4}$	$2 \frac{3}{4}$	$53 \frac{7}{8}$	16	$76 \frac{1}{2}$	$11 \frac{1}{2}$	$5 \frac{3}{4}$	24	9	5
20X20	$1 \frac{1}{16}$	26	$5 \frac{3}{4}$	$2 \frac{3}{4}$	$53 \frac{7}{8}$	16	$76 \frac{3}{8}$	$11 \frac{1}{2}$	$5 \frac{3}{4}$	24	9	6
22X22	$1 \frac{1}{16}$	28	5	$2 \frac{3}{4}$	$57 \frac{7}{8}$	20	$81 \frac{3}{4}$	$12 \frac{1}{2}$	$2 \frac{1}{2}$	26	9	5
22X22	$1 \frac{1}{16}$	28	5	$2 \frac{3}{4}$	$57 \frac{7}{8}$	20	$81 \frac{11}{16}$	$12 \frac{1}{2}$	$2 \frac{1}{2}$	26	9	6
22X22	$1 \frac{1}{16}$	28	5	$2 \frac{3}{4}$	$57 \frac{7}{8}$	20	$81 \frac{13}{16}$	$12 \frac{1}{2}$	$2 \frac{1}{2}$	27	10	8
24X24	$1 \frac{1}{16}$	$29 \frac{1}{4}$	$5 \frac{1}{4}$	$2 \frac{5}{8}$	$59 \frac{7}{8}$	20	$86 \frac{5}{8}$	$13 \frac{3}{8}$	$2 \frac{5}{8}$	28	9	5
24X24	$1 \frac{1}{16}$	$29 \frac{1}{4}$	$5 \frac{1}{4}$	$2 \frac{5}{8}$	$59 \frac{7}{8}$	20	$86 \frac{1}{16}$	$13 \frac{3}{8}$	$2 \frac{5}{8}$	28	9	6
24X24	$1 \frac{1}{16}$	$29 \frac{1}{4}$	$5 \frac{1}{4}$	$2 \frac{5}{8}$	$59 \frac{7}{8}$	20	$86 \frac{1}{8}$	$13 \frac{3}{8}$	$2 \frac{5}{8}$	29	10	8

CAST IRON

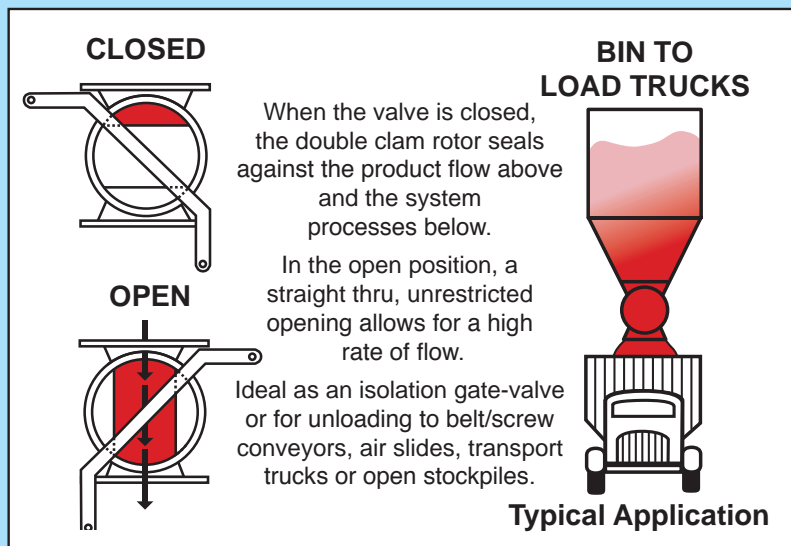
Rotary Plug Valve

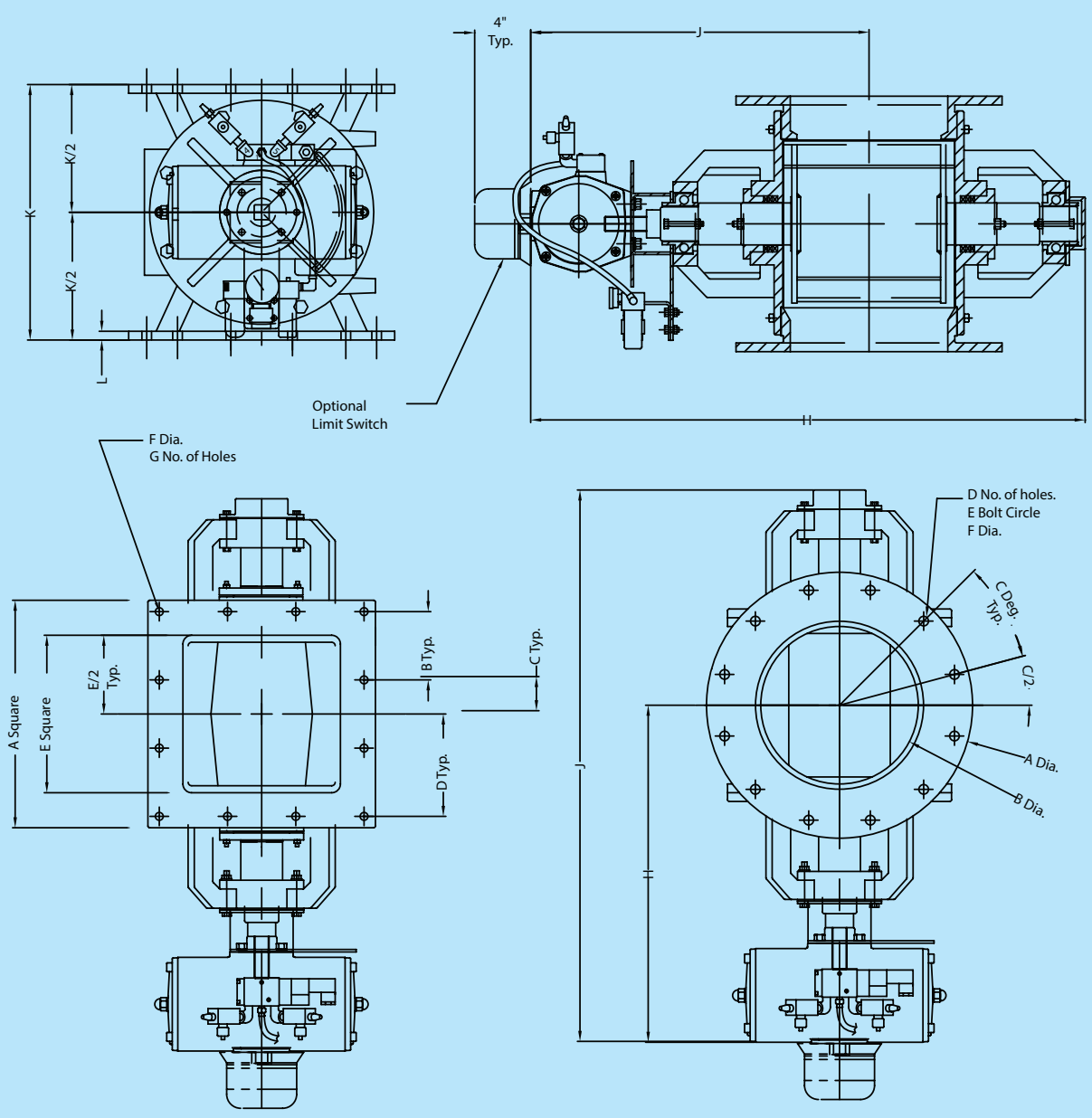
For reliable gravity loadout of free-flowing material, automatically or manually

The Meyer Rotary Plug Valve is an effective method of unloading dry free-flowing bulk materials from silos or storage hoppers. It holds a special advantage over conventional gates where closing against a column of heavy material such as Portland cement may pose a problem. The double-clam rotor slices through materials that can pack or agglomerate during storage, such as gypsum, fly ash, kaolin clay, silica, bauxite, grain products and the like. Structural integrity, dependable dust-free operation and the ability to handle elevated temperatures all make the Plug Valve ideal for severe service applications.

FEATURES

- Five standard sizes are available (6x6 through 14x14)
- Round or square flange configuration
- Available with manual hand lever, or an automatic air actuator with position switches
- Optional outboard bearing design with special shaft seals for extreme operating temperatures





SIZE	SQUARE FLANGE (Dimensions in inches)											ROUND FLANGE (Dimensions in inches)									
	A	B	C	D	E	F	G	H	J	K	L	A	B	C	D	E	F	H	J	K	L
6X6	8	3 ¾	1 ⅞	3 ⅞	5 ½	⅞	8	22 ½	13 ⅞	10	⅝	11	6	45	8	9 ½	⅞	22 ½	13 ⅞	10	⅝
8X8	11	5	2 ½	4 ⅞	7 ½	⅞	8	24 ⅞	16 ¼	12	½	13 ½	8	45	8	11 ¼	⅞	24 ⅞	16 ¼	12	½
10X10	13 ¼	4	2	6	9 ½	⅞	12	29 ¼	17 ⅞	15	½	16	10	30	12	14 ¼	⅞	29 ¼	17 ⅞	15	½
12X12	16 ¼	4 ⅞	2 ⅞	7 ⅞	11 ¼	⅞	12	39 ⅞	21 ⅞	18 ¼	⅝	19	12	30	12	17	⅞	39 ⅞	21 ⅞	18 ¼	⅝
14X14	19	4 ¼	-	8 ½	14	⅞	16	43 ¼	24 ¼	21	⅝	21	14	30	12	18 ¼	⅞	43 ¼	24 ¼	21	⅝

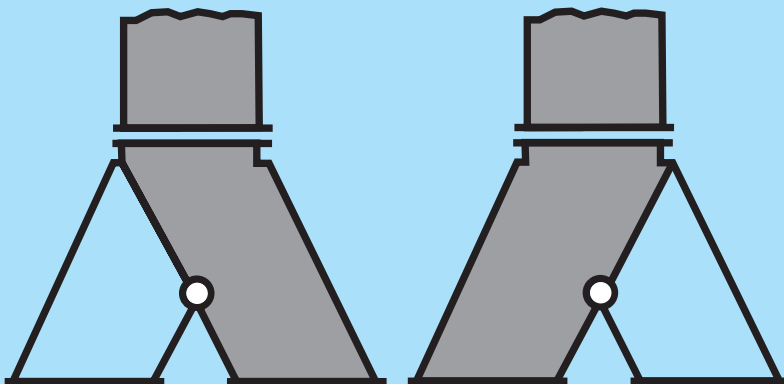
FULL FLOW Gravity Diverter Valve

FEATURES

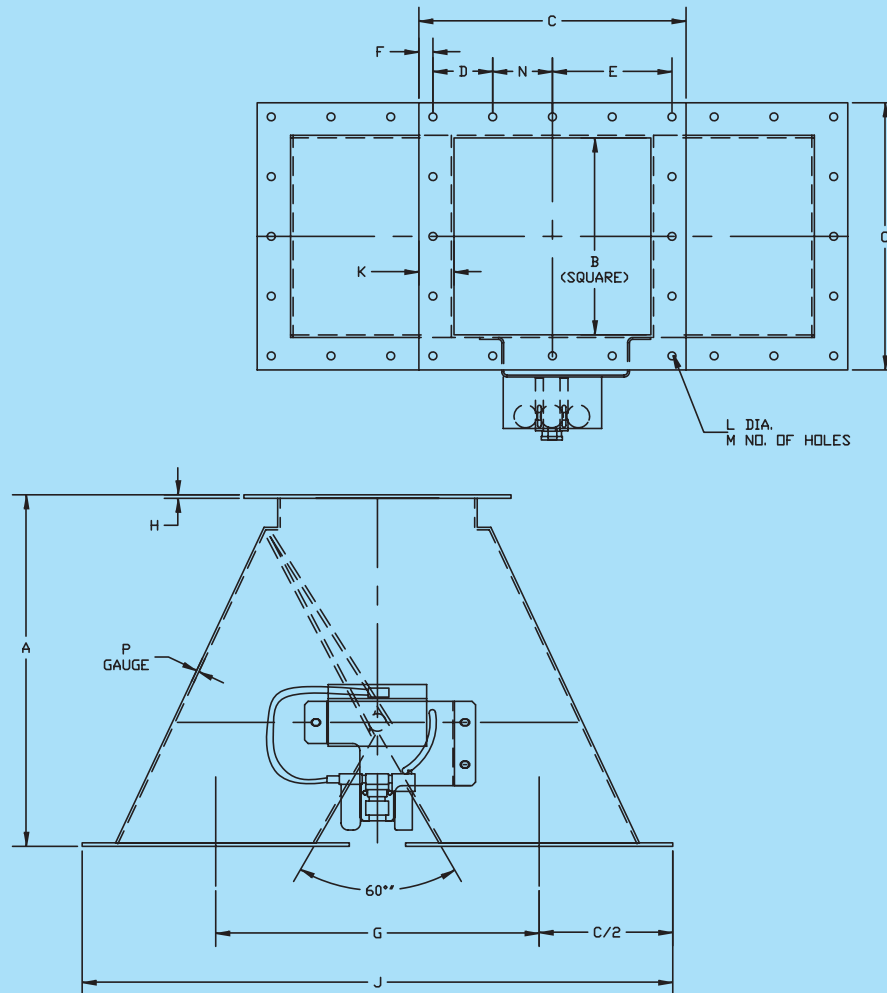
- Heavy gauge mild steel construction
- Optional stainless and abrasion resistant steel
- Air actuated or manual operator
- Optional air operator controls
- Dust-tight inside to out

BENEFITS:

Unit is ideal for diverting flow when a critical seal between legs or cutting through material is not required



Efficient design provides quick flow change for a wide range of applications



GRAVITY DIVERTER VALVE (Dimensions in inches)

SIZE	A	B	C	D	E	F	G	H	J	K	L	M	N	P	Wt.*
4	13	3 1/2	5 1/2	—	2 3/8	3/8	9	1/4	14 1/2	1	5/16	8	1 1/4	10	35
6	15	5 1/2	8	—	3 5/8	3/8	12	1/4	20	1 1/4	7/16	8	1 1/8	10	60
8	17 1/2	8	11	—	4 7/8	5/8	15	1/4	26	1 1/2	7/16	8	2 1/2	10	85
10	20	10	13 1/4	4	6	5/8	17	1/4	30 1/4	1 5/8	9/16	12	2	10	120
12	21 1/2	12	16 1/4	4 7/8	7 5/16	13/16	20	1/4	36 1/4	2 1/8	9/16	12	2 7/16	10	150
14	25	14	19	4 1/4	8 1/2	1	23	1/4	42	2 1/2	9/16	16	4 1/4	7	240
16	28	16	22	5	10	1	26	1/4	48	3	9/16	16	5	7	300
18	30	18	24	5 1/4	10 1/2	1 1/2	28	1/4	52	3	11/16	16	5 1/4	7	350
20	32	20	26	5 3/4	11 1/2	1 1/2	30	1/4	56	3	11/16	16	5 3/4	7	410
22	35	22	28	5	12 1/2	1 1/2	32	1/4	60	3	11/16	20	2 1/2	7	470
24	37	24	30	5 1/4	13 1/8	1 7/8	34	1/4	64	3	11/16	20	2 5/8	7	530

*Weights are approximate

System Components

In addition to Knife Gates, Slide Gates, Plug and Diverter Valves, Meyer designs, engineers and manufactures a wide variety of other products designed specifically for bulk processing applications. These products are designed and built to withstand the rigors of demanding applications. The next time you are in the market to repair, replace or upgrade your process system components, give us a call. We manufacture all the key components for pneumatic conveying, process metering and dust control.



HDX Valves



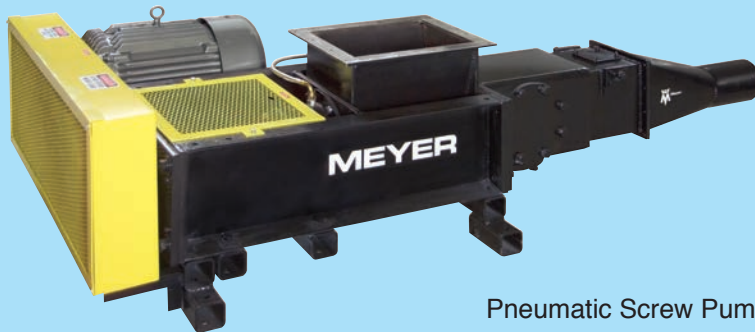
Universal Duty Valves



MPFTA Double Flapgate Valves



Klean-In-Place II



Pneumatic Screw Pumps

FREE INBOUND
NO-RISK
SHIPPING

FACTORY AUTHORIZED SERVICE

- Quality workmanship
- Quick turnaround
- Certified in-house performance tests
- Field inspection
- 12-month warranty
- Free estimates
- Free inbound no-risk shipping
- Sanitary grade expertise
- Multiple service locations

**WE SERVICE ALL ROTARY
AIRLOCK BRANDS**



MEYER
ISO 9001:2015 CERTIFIED

1700 Franklin Blvd., Libertyville, IL 60048
sales@wmmeyer.com • www.meyerindustrial.com
800.963.4458