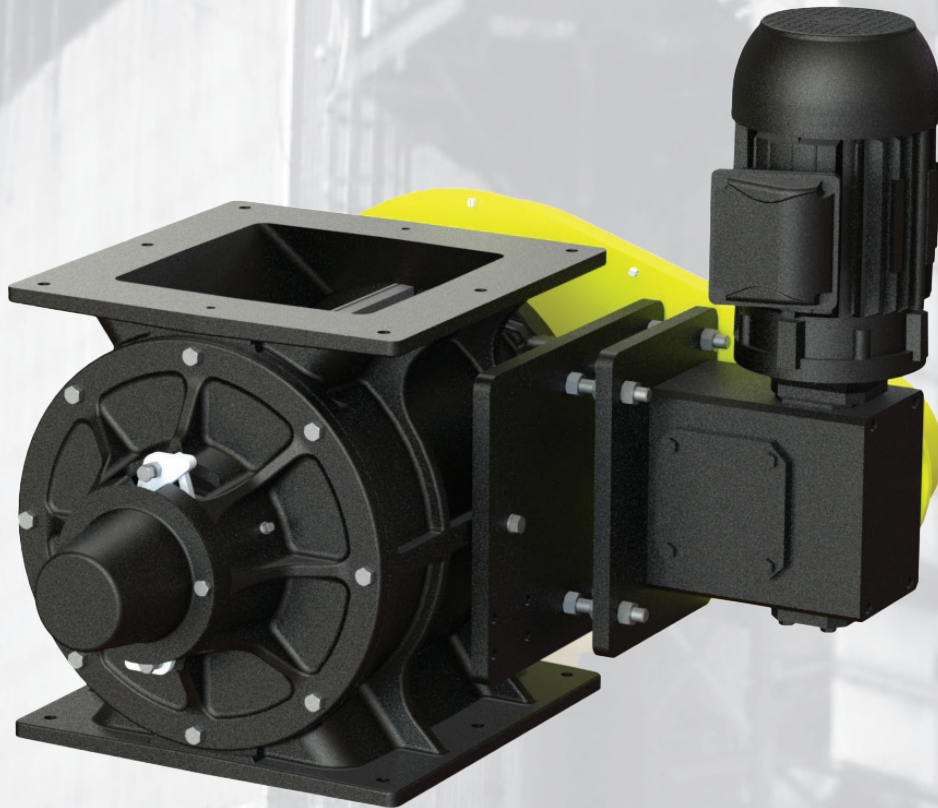
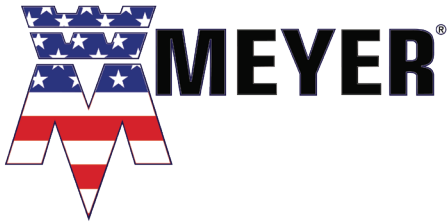




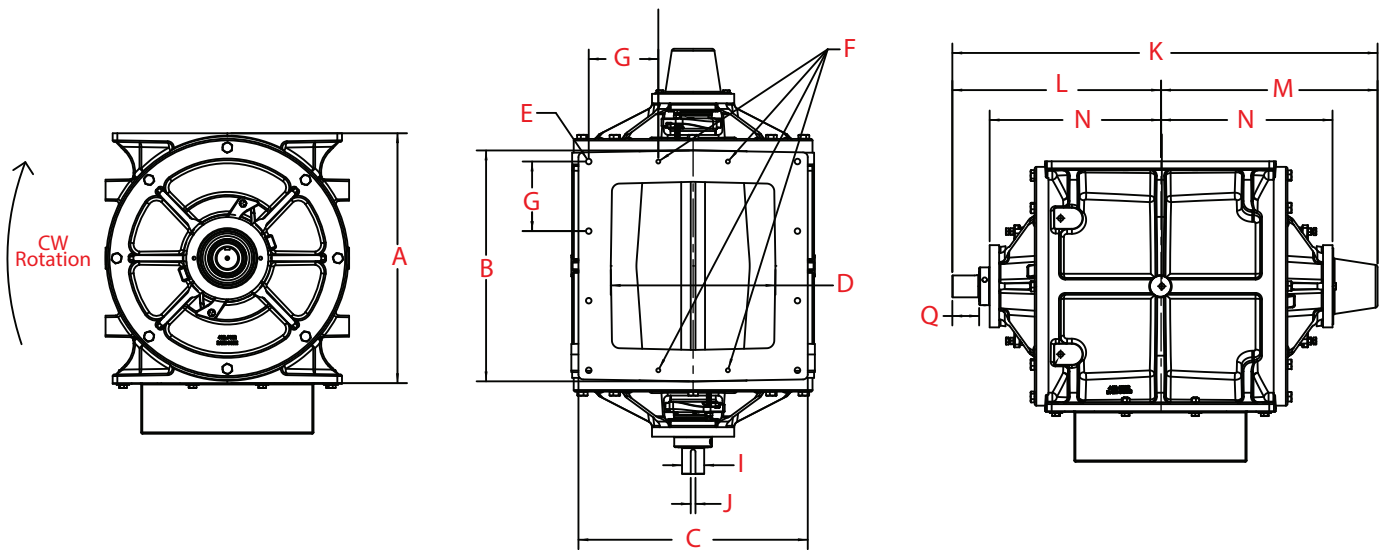
FT ROTARY AIRLOCK VALVES



- Cast Iron Construction
- 8 Vane Open End
Square Edge Rotor
- Temperatures to 750°F
- 4 Rows of Packing with 2 Piece
Packing Gland Design
- Robust Headplate
- Vertical Drive Pegs
- Chain and Sprocket Drive
- Purge Shaft Seals Option
- Hard Chrome Option
- Beveled and Sealstrip Rotor Option



FT ROTARY AIRLOCK VALVES



SIZE	CFR ⁺⁺	A	B	C	D	E ^{**}	F ^{**}	G	I [*]	J [*]	K	L	M	N	Q	WT ^{***}
12	0.75	15-3/4	15-1/8	15	10 sq	(6) 7/16	(2) 3/8-16	6-1/2	1-1/2	3/8	29	14-3/16	14-13/16	11-1/4	2-3/16	315 lbs.
14	1.05	17-5/8	17-1/8	17	12 sq	(8) 7/16	(4) 3/8-16	5-1/4	1-3/4	3/8	29-15/16	14-13/16	15-1/8	11-9/16	2-5/16	400 lbs.
16	1.77	19-3/4	18-1/4	18-1/8	13 sq	(8) 7/16	(4) 3/8-16	5-1/2	1-3/4	3/8	33-5/8	16-1/2	17-1/8	13-9/16	2-1/8	635 lbs.

Dimensions are in inches and not for construction purposes. *Rotor Shaft Diameter. ** Number of holes in flange. *** Bare valve.
 + Keyway. ++ CFR based on an 8 vane rotor.

Typical Applications:

- Asphalt
- Grain
- Cement
- Agriculture
- Food
- Chemicals
- Aggregates
- Dust Collection

"Fully Interchangeable" with the Smoot Valve

Feature	Smoot FT	Meyer FT
Configurable Design	No	Yes ✓
Easy Access Stuffing Box	No	Yes ✓
Low Leakage Clearances	No	Yes ✓
Flange Pattern	Same	Same
Air/Grease Purge	Yes	Yes
Chrome	Yes	Yes
Overall Height	Same	Same
Shaft Size	Same	Same

Sizes 12" And 14" In Stock For Immediate Delivery